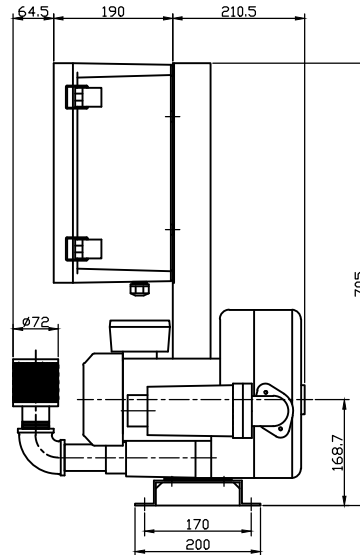
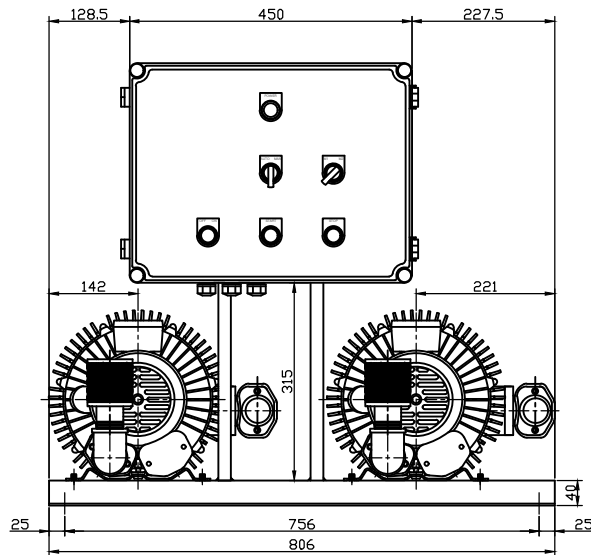
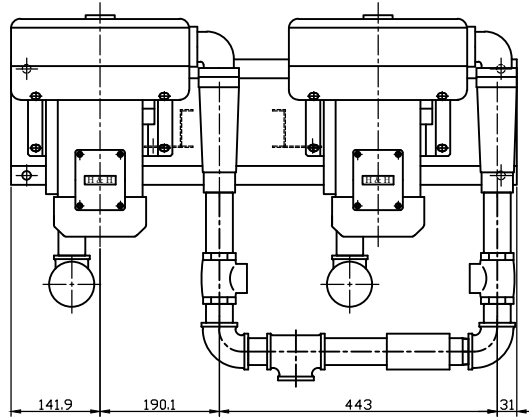



NOTE 1) 모터 21

No.	PART NAME	MATERIAL	Qt'y	SIZE	REMARK
01					



△		00				
No.	Revision			Date	Draw	Check
형식 TYPE	HRB-202/1		도명 TITLE	외형도 (OUTWARD DWG.)		
DRAWN	DESIGN	CHECKED	APPROVED	3RD ANGLE	SCALE:1/1	UNIT:mm
B.S.Kim				SIZE	3φ 2P 0.75KW	
17.02.17						
 黃海電機 HWANG HAE ELECTRIC				도번 DWG. No	BOD00444	△